



**NIUT**

LENG BING · WANG



We'll keep  
giving you  
all pleasant  
surprises

首先感谢您选择牛头，我们有足够丰富的经验和理论体系来保证我们的产品足够优秀。我们是一群真正的弓箭发烧友，相信这份热爱会给大家带来持续不断的惊喜。我们一直努力，赋予更多的科技到弓箭之中，诠释真正意义上的智能弓箭！

# ! WARNING

## 请认真阅读操作手册中的使用指南及安全预防措施

为了保障您个人及周围人的生命财产安全，在使用复合弓之前请一定认真阅读并严格遵守以下所有的安全条例，否则将可能造成非常严重的后果。对于不遵守安全条例而造成不良后果的，厂商概不负责，如造成复合弓损坏的，亦不予保修。

### 一，射手资质：

- 复合弓为合法体育器材，在合法合规的前提下，任何人无需任何证书均可使用复合弓；
- 不管是成年人还是未成年人，在首次接触复合弓时，都需要熟悉复合弓的成年人在旁监管指导；
- 严禁神志不清的人使用复合弓，例如饮酒、吸毒、严重疲劳的人，患有精神病或智力障碍的人等等。

### 二，检查器材：

- 优先检查D环、弦、轮组、弓片、弓身是否损坏。检查撒放器是否可靠。
- 检查所有螺丝和配件（瞄具、箭台等）是否松动。
- 检查箭的重量是否合适，箭的重量不得低于5格令/磅，例如60磅的复合弓不得使用低于300格令的箭。检查箭的挠度是否合适，是否有损坏。
- 请确保所有器材完好且适配，再去使用复合弓，强行使用可能造成严重人身伤害。
- 严禁私自改装和维修，会产生不可预测的隐患。如需改装和维修，请咨询经销商。
- 如需自行调磅、调拉距、调瞄等简单的调试，请确保您有足够的相关知识。

### 三，选择场地

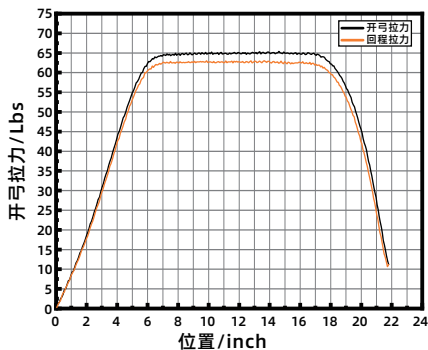
- 合法合规的射箭馆。
- 合法合规的射箭比赛场地。
- 合法合规的猎场。
- 如无法选择以上场地，请一定要选择封闭的周围无人的场地。

### 四，射击规则

- 靶子的选择，优先使用厚度足够的纤维靶、草靶、泡沫靶。严禁10米以内射击铁板、水泥、石头等硬物。靶子后面最好有大小合适的挡箭布或其它障碍物，以防脱靶击中不想击中的人或物。在非狩猎环境下，严禁射击可轻易穿透的物体，比如纸箱，薄木板，靶纸，草丛，树丛等等。
- 确保射程内无任何障碍物
- 禁止对空仰射，箭可能会击中你视野之外的人或物。
- 确保撒放器可靠的钩住D环。
- 严禁空放（不搭箭直接拉弓撒放）。空放以后弓弦可能断裂、脱弦，轮组可能断裂、变形，弓片可能产生裂纹。空放也可能造成人身伤害。如有空放，请联系经销商，严禁私自维修。
- 在搭箭射击的整个过程中，要始终指向安全方向。

# NIUT-701

## 拉力曲线图



**IBO箭速 360 fps**

**净重 4.1 lbs**

**轴距 28"**

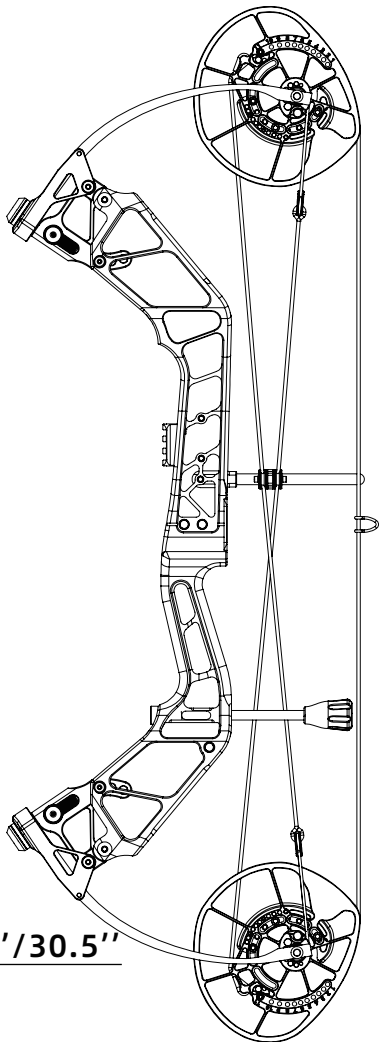
**弓档 5" 5.5" 6"**

**省力比 75% 80% 85%**

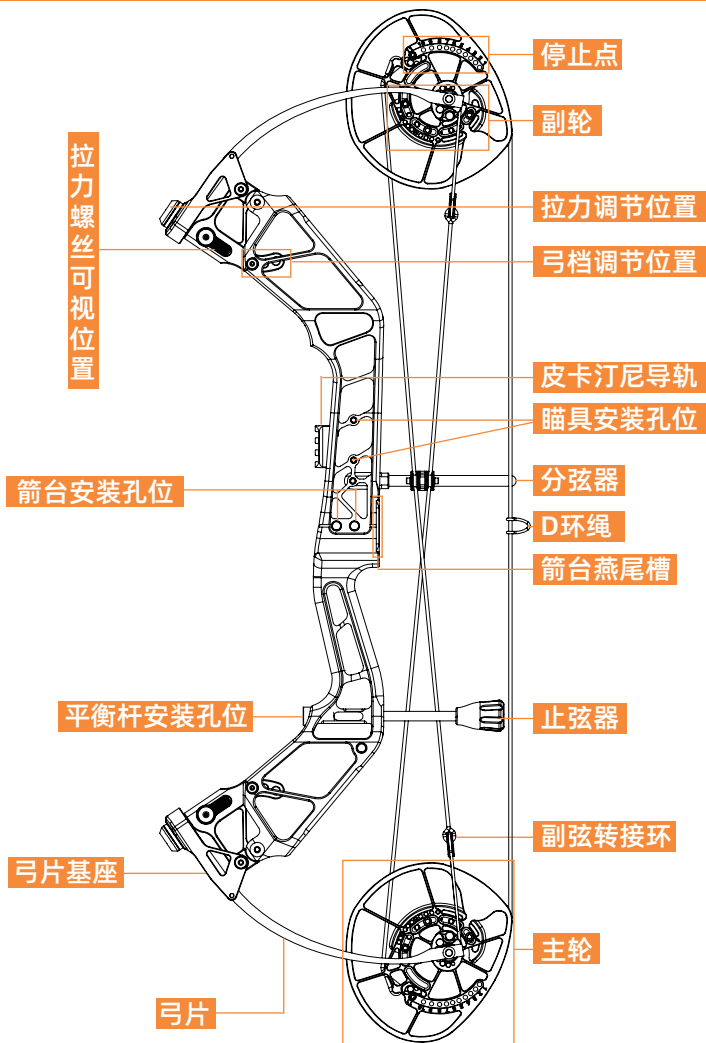
**拉力 0-70 lbs**

**拉距 24.5"-29.5"/30"/30.5"**

**轮组 ZHI NIU-1**



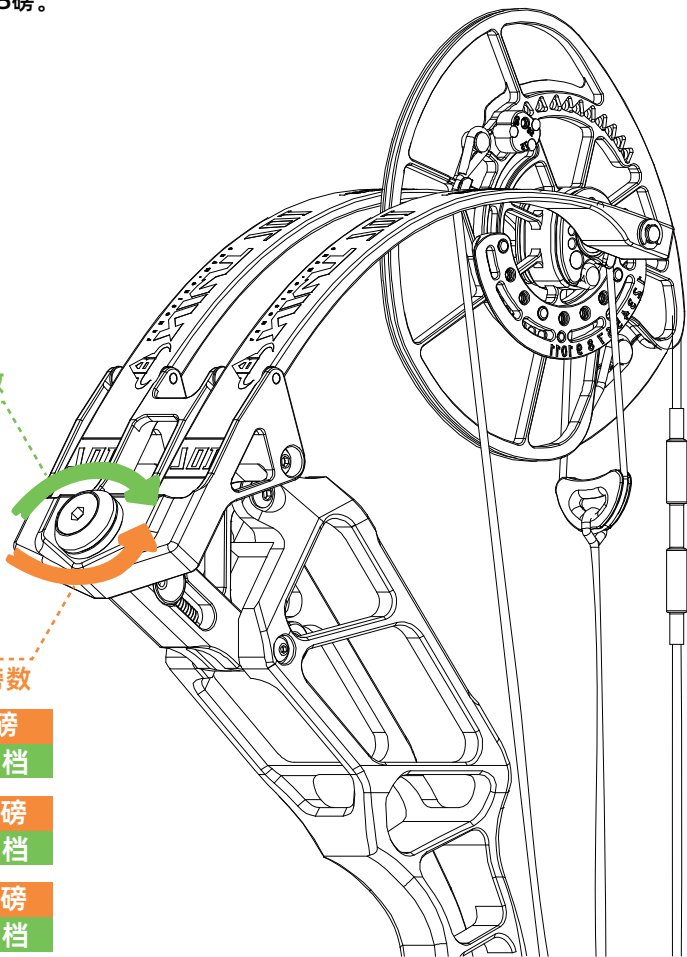
## 701部位示意图



## 磅数调整

请使用3/16" 英制内六角扳手转动弓片的磅数螺丝，必须确保两端螺丝转动圈数一致顺时针转动，增大磅数；逆时针转动减少磅数。每转动一圈，相当于增加或减少大约2.5磅。

增加磅数



减少磅数

0-40磅

第一弓档

15-55磅

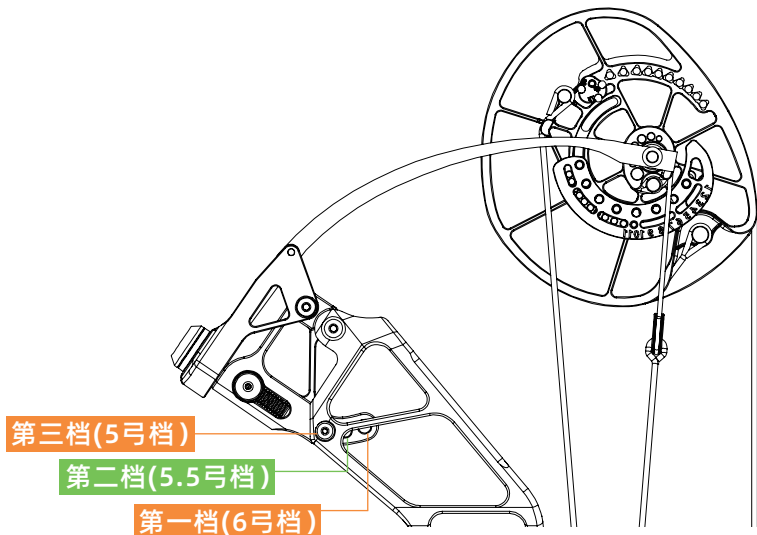
第二弓档

30-70磅

第三弓档

## 弓档调节

需使用专用开弓器进行调节，操作前确保弓弦无张力，严禁徒手直接拆卸弓弦，如有任何疑问请向NIUT（牛头）官方授权经销商咨询。



### 第三档（此区间内磅数与弓档的对应关系）

磅数	71.3	66.2	60.5	55.4	50	45.2	40.2	34.9	30
弓档	4.96	5.08	5.24	5.39	5.47	5.59	5.75	5.87	5.94

### 第二档（此区间内磅数与弓档的对应关系）

磅数	55	50	44.5	39	35	30.2	25.6	20.5	15.8
弓档	5.5	5.63	5.71	5.83	5.91	6.06	6.18	6.22	6.30

### 第一档（此区间内磅数与弓档的对应关系）

磅数	39	34.1	29.4	24.6	20.1	15.3
弓档	6.06	6.14	6.22	6.34	6.38	6.46

实测数据可能存在误差

## 拉距调节

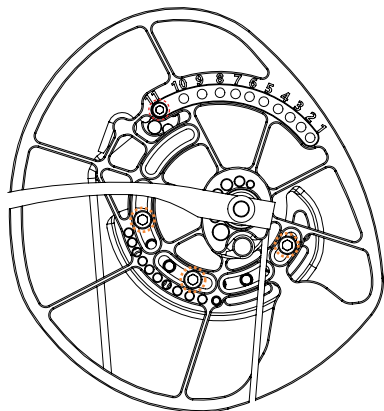
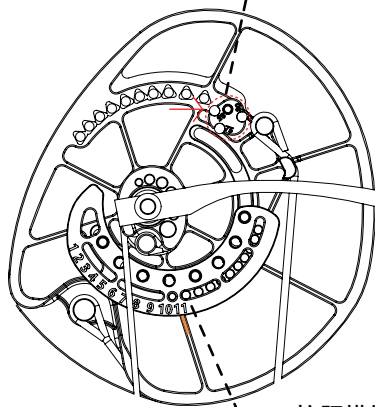
拉距调节分为三个档位24.5"-29.5"/25"-30"/25.5"-30.5"; 在拉距调节时, 遵循以下步骤:

1. 逆时针拧出橙圈标识内的螺丝;
2. 转动模块至所需的拉锯位 (注意: 数字与橙色标记处对应);
3. 顺时针锁紧螺丝即可, 避免过度拧紧。

请确保上下轮拉距模块调整至相同的数字位置

75%、80%、85%三种省力比可调节

1. 拧松红圈标识内的螺丝
2. 将省力比模块转动至箭头处拧紧



拉距模块

注意: 调节拉距时需参考以下表格

■ 第一档 (弓片预弯和磅数最小, 默认弓档为6英寸)

孔位	1	2	3	4	5	6	7	8	9	10	11
拉距	25.5	26	26.5	27	27.5	28	28.5	29	29.5	30	30.5

■ 第二档 (中间档位, 默认弓档为5.5英寸)

孔位	1	2	3	4	5	6	7	8	9	10	11
拉距	25	25.5	26	26.5	27	27.5	28	28.5	29	29.5	30

■ 第三档 (弓片预弯和磅数最大, 默认弓档为5英寸)

孔位	1	2	3	4	5	6	7	8	9	10	11
拉距	24.5	25	25.5	26	26.5	27	27.5	28	28.5	29	29.5

## 弓的维护与保养

NIUT（牛头）所制造的复合弓，结构精密复杂。无论是维修还是拆装，均需借助专业工具进行操作。为确保产品的正常运行和用户的安全，强烈建议所有维修工作均应通过授权经销商进行。若用户擅自拆卸或改装弓具，由此引发的弓具损坏或人身伤害本公司将不承担任何责任。敬请广大用户遵守相关警示，确保使用安全。

### 注意：

- 1.定期对主弦和副弦进行上蜡处理，确保弦的质量和延长使用寿命；
- 2.为确保复合弓的正常使用及延长其寿命，请避免将其长期存放于极端高温或潮湿环境，如车辆后备箱或车库，此类环境可能导致复合弓的减震系统及其他关键部件受损，进而缩短使用寿命，请妥善保管；
- 3.如使用湿布清洁弓之后，务必确保弓在完全晾干后进行存放。严禁使用任何类型的清洁剂，清洁剂会与弓的表面发生化学反应，形成表面的破坏。

## 保修条款

保修条款仅适用于由NIUT（牛头）官方授权经销商出售的全新一手弓

（顾客需提供相关交易订单以享受保修服务）

### 免费保修：

- 1.因产品不合格而导致无法正常使用的产品，我们将提供二年免费保修服务；
- 2.产品外观、易损件（弓弦、D环绳、止弦胶）及包装不在保修范围；
- 3.人为损坏的部件不在保修范围之内。

### 免责声明：

- 1.一旦产品出现断裂或损害，请立即停止使用，如果不计后果强行使用，本公司将不承担任何责任；
- 2.禁止对人和动物射击，请明白弓箭类产品只能竞技射靶，胡乱射击造成的一切不良后果本公司将不承担任何责任；
- 3.任何个人维修和拆装此产品而引起的损害，本公司将不承担任何责任；
- 4.此产品使用的箭支的重量应在每磅拉力承受大于5格令并且不可使用有伤的箭支，不可空放，违反这三种情形造成不良后果的，本公司将不承担任何责任；
- 5.在开始使用此产品前请仔细检查产品是否正常，由于不检查就使用有缺陷的器材而导致的所有后果，本公司将不承担任何责任；
- 6.严禁在吃过药物，喝酒后，吸食毒品等，在神志不清的情况下使用此弓，因此造成的一切不良后果，本公司将不承担任何责任。

**严重警告：**严禁一切使用者，利用此产品做违反国家法律的一切行为，由此造成的一切后果，本公司将不承担任何责任

# We'll keep giving you all pleasant surprises

First of all, thank you for choosing NIUT. We have sufficient and rich experience as well as a theoretical system to ensure that our products are excellent enough. We are a group of true archery enthusiasts and we believe this passion will bring you continuous surprises. We have been striving to incorporate more technology into archery equipment to interpret smart archery in its true sense!

# WARNING

Please carefully read the usage guidelines and safety precautions in the operation manual.

To ensure the safety of your personal life and property, as well as that of those around you, please read and strictly comply with all safety regulations below before using the compound bow. Failure to do so may result in extremely serious consequences. The manufacturer will not be liable for any adverse effects caused by non-compliance with safety regulations, and damage to the compound bow under such circumstances will not be covered by the warranty.

## 一, Archer Qualifications

- Compound bows are legal sports equipment, and anyone may use them without any certificate(s) provided that the use is lawful and compliant.
- Whether an adult or a minor, anyone being introduced to a compound bow for the first time must be supervised and guided by an adult familiar with compound bows.
- It is strictly prohibited for individuals with impaired consciousness to use compound bows, such as those under the influence of alcohol or drugs, those who are severely fatigued, or those with mental illnesses or intellectual disabilities.

## 二, Inspect Equipment

- First, inspect whether the D-loop, strings, cam, limbs, and bow body are damaged. Check if the release aid is reliable.
- Check all screws and accessories (such as sights, arrow rests, etc.) for looseness.
- Check whether the arrow weight is appropriate. The arrow weight shall not be less than 5 grains per pound. For example, a 60-pound compound bow shall not use arrows weighing less than 300 grains. Additionally, check whether the arrow's spine is appropriate and whether it is damaged.
- Ensure all equipment is intact and properly matched before using the compound bow. Forced use may cause serious personal injury.
- Unauthorized modification or repair is strictly prohibited, as it may create unpredictable hazards. For any modification or repair needs, please consult the dealer.
- If you need to perform simple adjustments such as poundage adjustment, draw length adjustment, or sight adjustment by yourself, ensure you have sufficient relevant knowledge.
- A lawfully compliant archery range.

## 三, Select a Venue

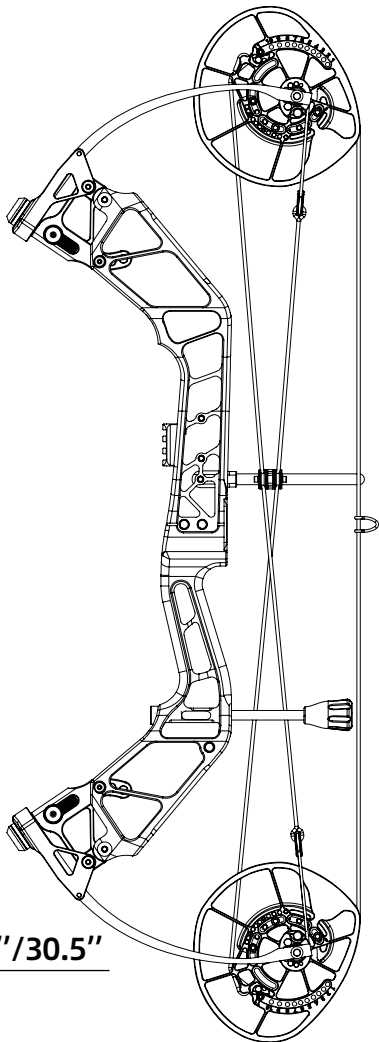
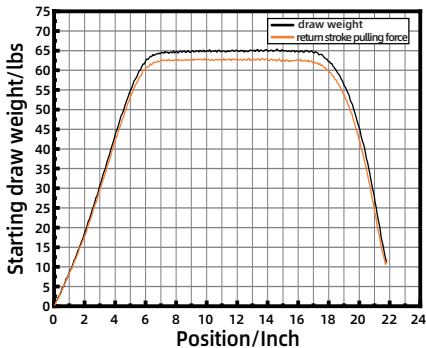
- A lawfully compliant archery competition venue.
- A lawfully compliant hunting ground.
- If you are unable to select the above venues, be sure to choose an enclosed area with no one around.

## 四, Archery Rules

- Target Selection Priority should be given to using fiber targets, straw targets, or foam targets with sufficient thickness. It is strictly prohibited to shoot at hard objects such as iron plates, concrete, or stones within 10 meters. Ideally, a properly sized arrow-stopping cloth or other obstacles should be placed behind the target to prevent stray arrows from hitting unintended people or objects.
- Ensure there are no obstacles within the shooting range.
- Do not shoot upward into the air. Arrows may hit people or objects beyond your line of sight.
- Ensure the release aid securely hooks onto the D-loop.
- Dry firing (drawing the bow and releasing without an arrow nocked) is strictly prohibited. After a dry fire, the bowstring may break or come off, the cam may crack or deform, and the limbs may develop cracks. Dry firing can also cause personal injury. If a dry fire occurs, contact the dealer immediately. Unauthorized repair is strictly forbidden.
- Throughout the entire process of nocking and shooting an arrow, always point the bow in a safe direction.

# NIUT-701

## Draw weight curve diagram



**lbo arrow speed** 360 fps

**Physicl Weight** 4.1 lbs

**Axle to Axle** 28"

**Brace Height** 5" 5.5" 6"

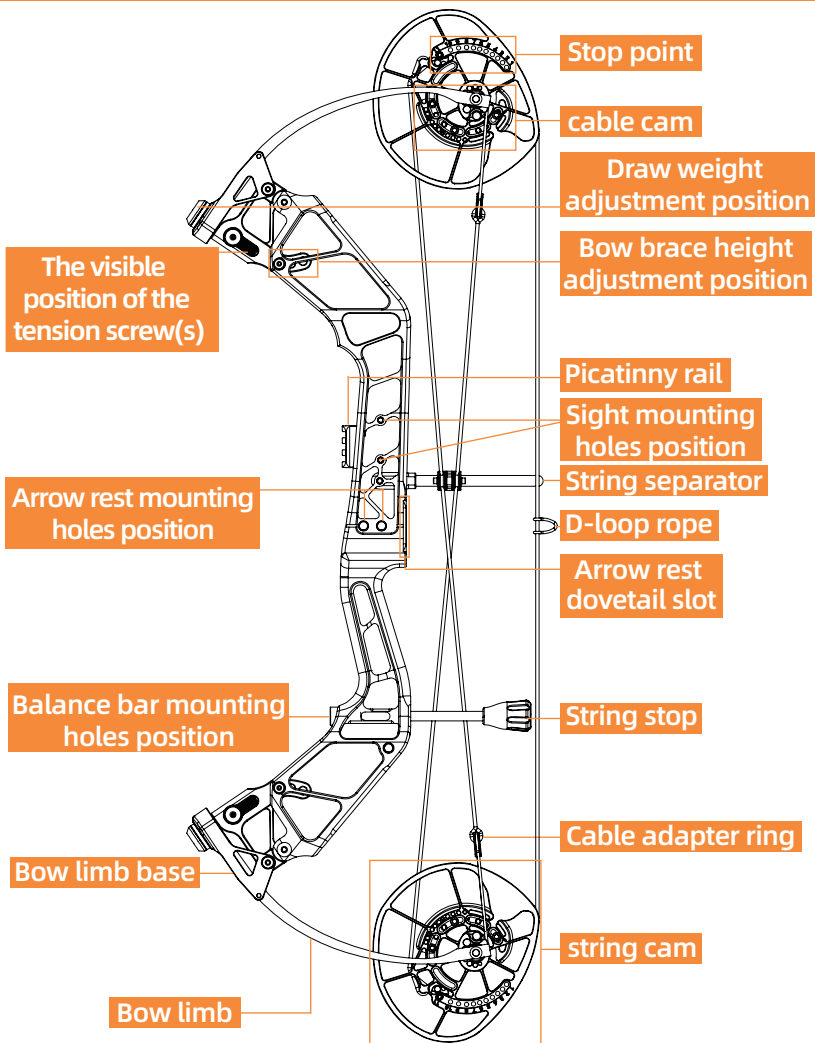
**Let-off** 75% 80% 85%

**Draw Weight** 0-70 lbs

**Draw Lenght** 24.5"-29.5"/30"/30.5"

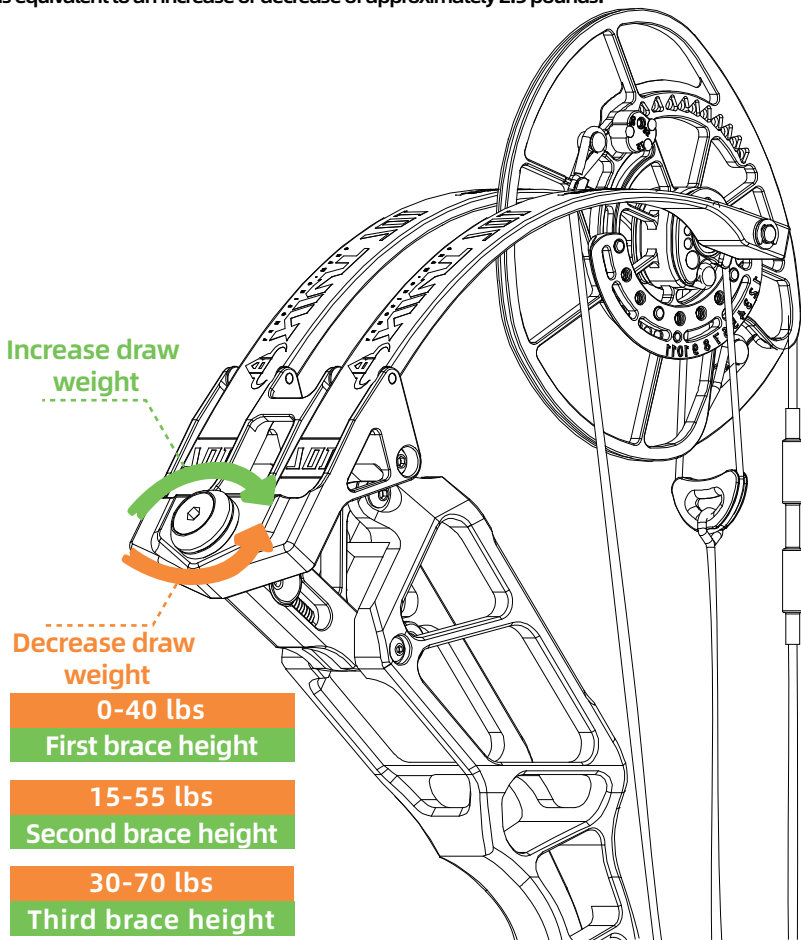
**Cam** ZHI NIU-1

## Schematic diagram of the parts of 701



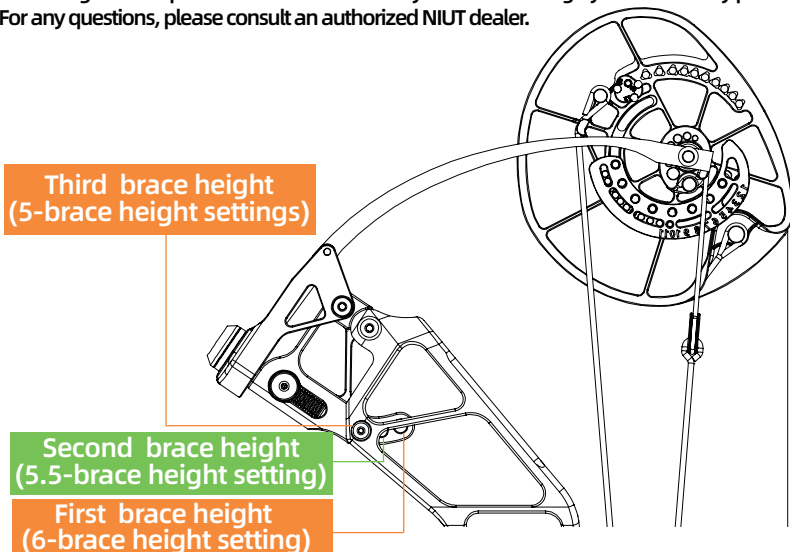
## Poundage adjustment of a compound bow

Please use a 3/16" imperial hex - key wrench to turn the poundage screws on the bow limbs. It is necessary to ensure that the number of turns of the screws at both ends is the same. Turn clockwise to increase the poundage, and turn counter - clockwise to decrease it. Each full turn is equivalent to an increase or decrease of approximately 2.5 pounds.



## Bow string clearance adjustment

Adjustments must be made using a specialized bow press. Ensure there is no tension on the bowstring before operation. Direct disassembly of the bowstring by hand is strictly prohibited. For any questions, please consult an authorized NIUT dealer.



Third brace height (correspondence between draw weight and brace height within this range)

Draw Weight	71.3	66.2	60.5	55.4	50	45.2	40.2	34.9	30
Brace Height	4.96	5.08	5.24	5.39	5.47	5.59	5.75	5.87	5.94

Second brace height (correspondence between draw weight and brace height within this range)

Draw Weight	55	50	44.5	39	35	30.2	25.6	20.5	15.8
Brace Height	5.5	5.63	5.71	5.83	5.91	6.06	6.18	6.22	6.30

First brace height (correspondence between draw weight and brace height within this range)

Draw Weight	39	34.1	29.4	24.6	20.1	15.3
Brace Height	6.06	6.14	6.22	6.34	6.38	6.46

There may be errors in the measured data.

## Draw length adjustment

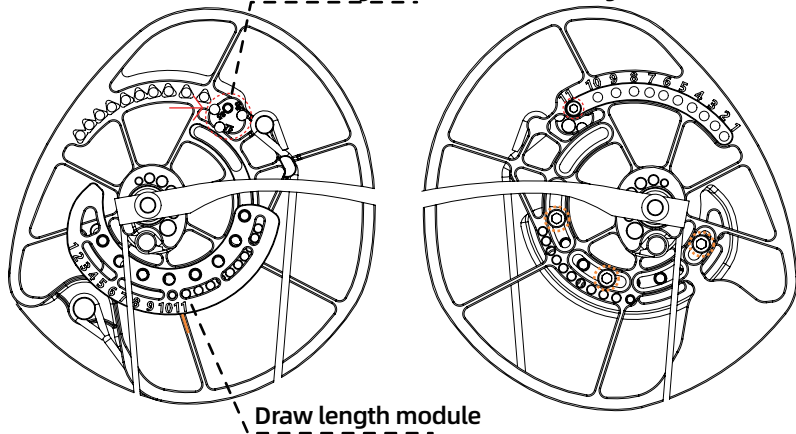
Draw length adjustment is divided into three settings: 24.5"-29.5" / 25"-30" / 25.5"-30.5"  
 When adjusting the draw length, follow these steps:

1. Unscrew the screws inside the orange ring counterclockwise.
2. Rotate the module to the desired draw length position. (Note: Align the numbers with the orange markings.)
3. Tighten the screws clockwise to secure them. Avoid over-tightening.

Please ensure that the draw length modules of the upper and lower cams are adjusted to the same numerical position.

The let-off can be adjusted to three settings: 75%, 80%, or 85%.

1. Loosen the screws inside the red circle.
2. Rotate the let-off module to align with the arrow, then tighten the screws.



Note: Refer to the following table when adjusting the draw length.

- First brace height (limb pre-bend and draw weight are minimized, with a default brace height of 6 inches)

Hole Position	1	2	3	4	5	6	7	8	9	10	11
Draw Length	25.5	26	26.5	27	27.5	28	28.5	29	29.5	30	30.5

- Second brace height (middle setting default brace height of 5.5 inches)

Hole Position	1	2	3	4	5	6	7	8	9	10	11
Draw Length	25	25.5	26	26.5	27	27.5	28	28.5	29	29.5	30

- Third brace height (limb pre-bend and draw weight are maximized, with a default brace height of 5 inches)

Hole Position	1	2	3	4	5	6	7	8	9	10	11
Draw Length	24.5	25	25.5	26	26.5	27	27.5	28	28.5	29	29.5

## Maintenance and Care of the Bow

The compound bows manufactured by NIUT feature a precise and complex structure. Both maintenance and disassembly/assembly require professional tools for operation. To ensure the normal operation of the product and user safety it is strongly recommended that all maintenance work be carried out through authorized dealers. The company will not assume any liability for bow damage or personal injury caused by users' unauthorized disassembly or modification of the bows. We kindly request all users to adhere to these warnings to ensure safe usage.

### Note:

- 1.Regularly wax the string and cable to ensure their quality and extend their service life.;
- 2.To ensure the normal use of the compound bow and extend its service life, avoid long-term storage in extreme high-temperature or humid environments, such as vehicle trunks or garages. Such environments may damage the bow's shock absorption system and other critical components, thereby shortening its service life. Please store it properly.
- 3.If you clean the bow with a damp cloth, make sure it is completely dry before storage Do not use any type of cleaning agent - these agents may chemically react with the bow's surface, causing damage.

**NIUT strongly recommends that you follow the maintenance guidelines to maintain the bow's integrity and service life.**



## Warranty Terms

The warranty terms apply only to brand-new, first-hand bows sold by officially authorized dealers of NIUT .

(Customers are required to provide relevant transaction orders to enjoy warranty services.)

### Free Warranty:

- 1.For products deemed non-conforming and thus inoperable, we guarantee a 24-month free warranty.
- 2.Product appearance, vulnerable parts (bow strings, D-loop ropes, string stoppers) and packaging are not covered by the warranty.
- 3.Parts damaged by human error are not covered by the warranty.

### Disclaimer:

- 1.If the product shows signs of breakage or damage, stop using it immediately. The company will not assume any liability for consequences arising from forced use despite such issues.
  - 2.Shooting at humans or animals is strictly prohibited. Archery products are solely intended for competitive target shooting. The company will not assume any liability for any adverse consequences caused by improper shooting.
  - 3.The company will not assume any liability for damages caused by any personal maintenance, disassembly, or assembly of this product.
  - 4.The arrows used with this product must weigh more than 5 grains per pound of draw weight, and damaged arrows must not be used. Dry firing is strictly prohibited. The company will not assume any liability for adverse consequences caused by violations of these three conditions.
  - 5.Before using this product, carefully inspect it to ensure it is in proper condition. The company will not assume any liability for all consequences arising from the use of defective equipment without prior inspection
  - 6.Using this bow while under the influence of medication, alcohol, or drugs, or in a state of impaired consciousness, is strictly prohibited. The company will not assume any liability for any adverse consequences arising from such use.
- Severe Warning: It is strictly prohibited for any user to use this product to engage in any acts violating national laws. The company will not assume any liability for all consequences arising therefrom.



Taiyuan Lengbing Sports Equipment Co., Ltd

Address: Qingkong Innovation Base, 529 Nan Zhonghuan Street, Taiyuan Xuefu Park  
Shanxi Comprehensive Reform Demonstration Zone

Emil:772664182@qq.com



**NIUT**

LENG BING · WANG

